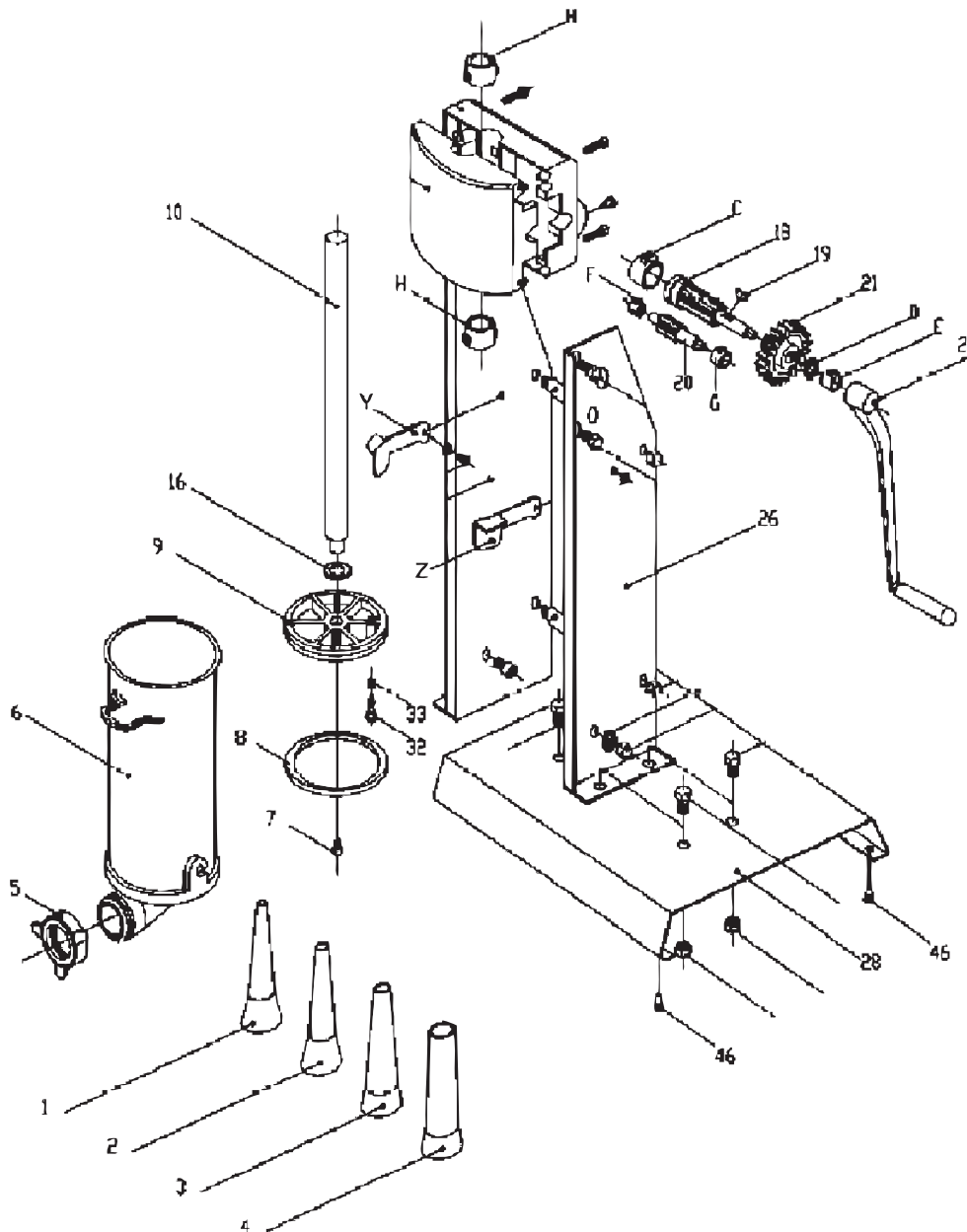


# Parts Breakdown

Item 13733



$(46 \times 4) = 146$   
 $8 + 9 = 108$   
 $32 + 33 = 132$   
 $Y + Z = 13$   
 $C + D + E + F + G + H = 44$

# Parts Breakdown

---

## Item 13733

Item No.	Description	Position	Item No.	Description	Position	Item No.	Description	Position
10124	Plastic Spout 10mm for 13733	1	15275	Gear Rack for 13733	10	27643	Stainless Steel Base for 13733	28
10125	Plastic Spout 20mm for 13733	2	AD705	Cylinder Holder for 13733	13	21177	Bushing Kit Plastic for 13733	44
10126	Plastic Spout 30mm for 13733	3	27636	Washer Between Rack and Piston for 13733	16	15280	Piston and Gasket for 13733	108
10127	Plastic Spout 40mm for 13733	4	15277	Rack Controlling Shaft for 13733	18	15313	Air Valve and Spring for 13733	132
15279	Screw Ring for 13733	5	21594	Key for 13733	19	69321	Set of 4 Feet for 13733	146
15273	Cylinder for 13733	6	15276	Pinion for 13733	20	72256	Complete Gear Block for 13733	
15285	Piston Screw for 13733	7	15278	Reducer Wheel for 13733	21			
15274	Gasket Silicone for 13733	8	15272	Handle for 13733	23			